

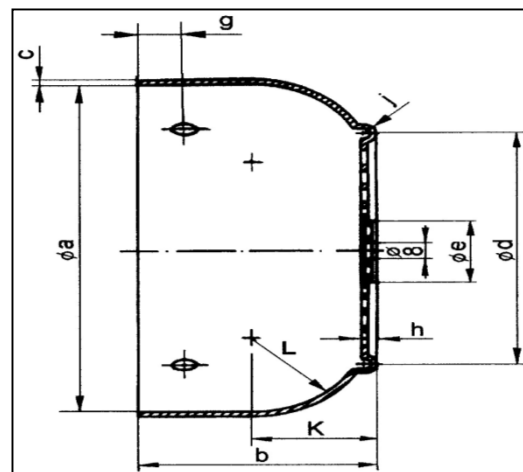
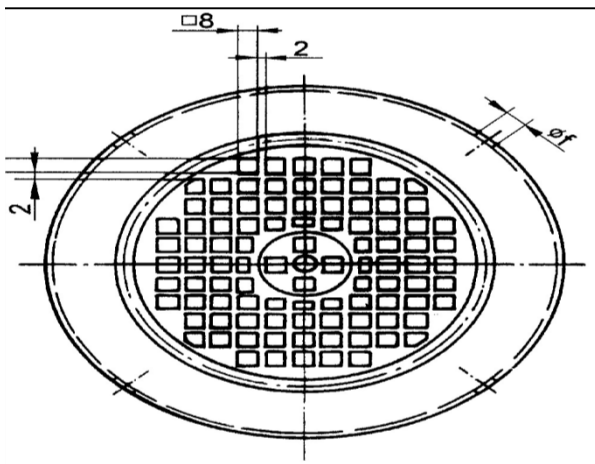
DESCRIPTION

FC Series Fan Cowls are manufactured from galvanised steel and are designed to fit IEC frame motors.

Upon request, FC Series Fan Cowls can be supplied painted to any BS or RAL specification paint colour, or colour matched to specific customer requirements.



DRAWING



DIMENSION

Frame Size	a mm	b mm	c mm	d mm	e mm	f mm	g mm	h mm	j mm	k mm	L mm
FC 56	108.5	53.5	1.5	78	14	4.8	10	1.5	3.5	29	28
FC 63	121	61	1.5	85	17	4.8	14	1.5	4	32	32
FC 71	136	70.5	1.5	95	18	5.8	10	1.5	4	35.5	35.5
FC 80	154	75	1.5	112	25	5.8	14	1.5	4	39.5	39.5
FC 90	174	86	1.5	125	30	5.8	16	1.5	4	45	45
FC 100	192	95	1.5	133	34	5.8	18	1.5	4	49.3	49.3
FC 112	216	99	1.5	152	34	5.8	16	1.5	4	54	54
FC 132	255	117	1.5	173	42	5.8	23	1.5	4	64	64
FC 160	307	136	1.5	205	46	6.8	25	2	4	69.5	65
FC 180	345	155	1.5	218	52	6.8	35	2	4	71	65
FC 200	382	178	1.5	250	69	6.8	38	2	4	72	66
FC 225	430	192	1.5	263	69	6.8	42	3	4	96	90
FC 250	477	220	1.5	297	85	8.8	46	3.5	5	95	90
FC 280	533	238.5	1.5	320	95	8.8	50	3.5	5	113	108
FC 315	597	237	1.5	340	100	8.8	30	3.5	5	135	130
FC 355	692	240	1.5	400	125					128	128

→ Extra Deep Fan Cowls & Plastic Fan Cowls are available upon request.