

## FM 003 SERIES CLAMP-ON COOLING FANS

**E.M.C.**  
ELECTRIC MOTOR COMPONENTS

### DESCRIPTION

Black plastic fans with a split boss which is tightened together via two bolts enabling the fan to be easily and securely clamped to the motor shaft.

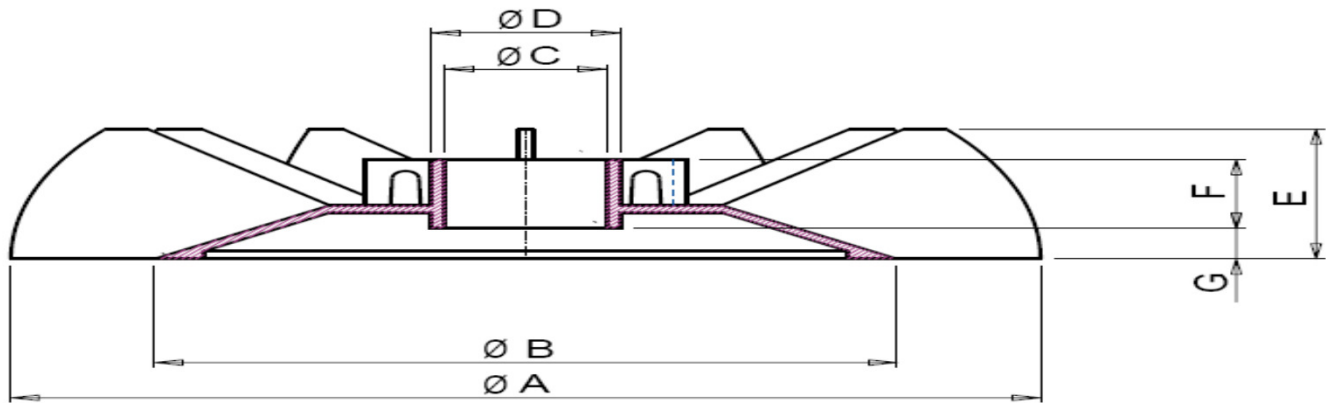
The fans have a flat profile, allowing fitting to relatively short shaft ends.

FM 003 Series Clamp-On Fans have an operating temperature range of -20 to +90°C.

The maximum operating temperature is 100°C.



### DRAWING



### DIMENSIONS

Ref/ Frame Size	A mm	B mm	C mm	D mm	E mm	F mm	G mm	No. of Blades		
FM 71	113	91	21-14	19	26	4	16	12		
FM 80	133	103	19	24	29	5	16	12		
FM 90	144	106	22.6	28	34	10	18	12		
FM 100	172	127	28	33	38	3	21	12		
FM 112	188	137	28	33	42	6	23	12		
FM 132	238	168	40	46	50	10	22	12		